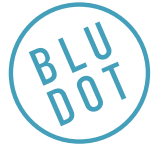
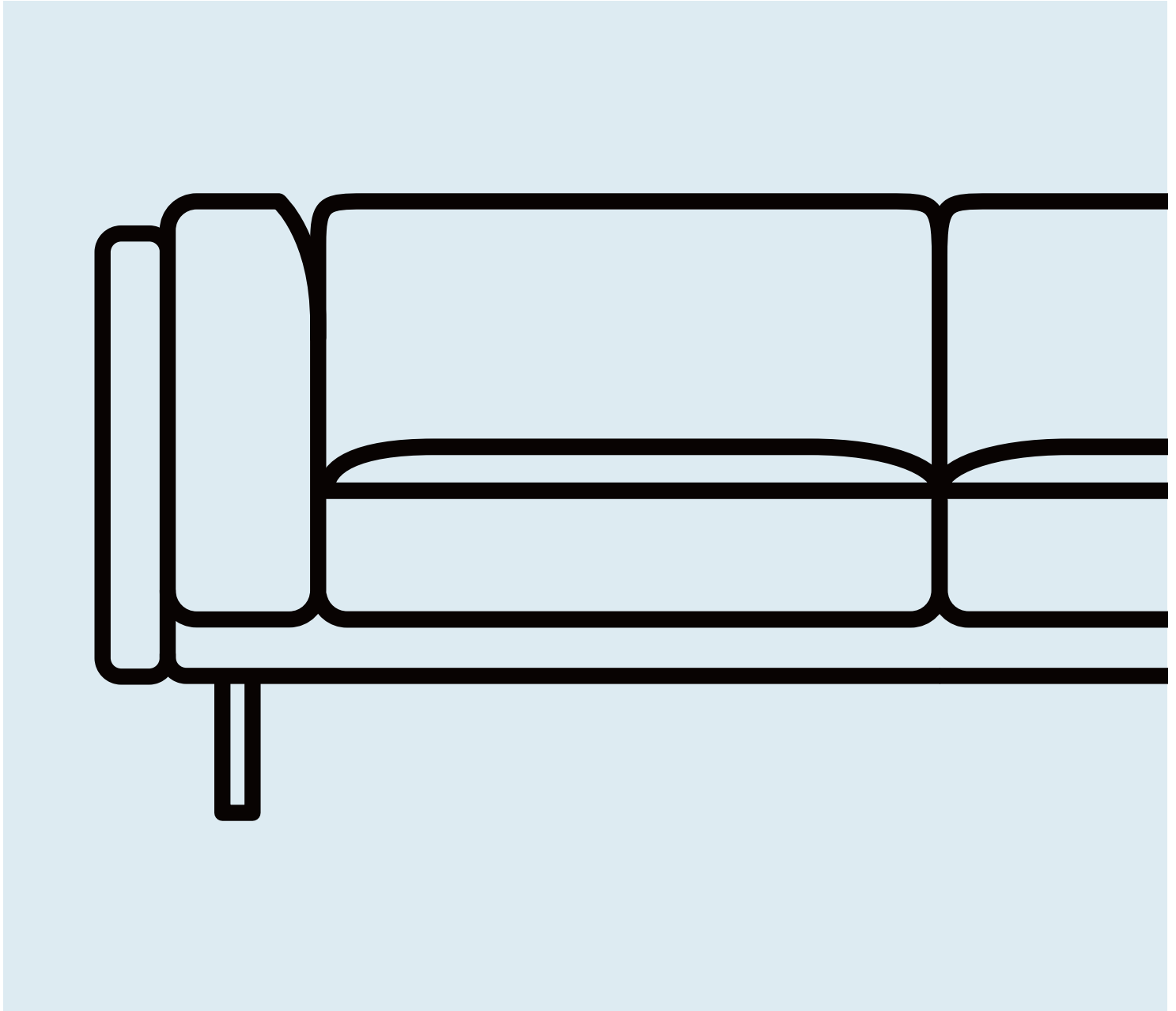


Coffer Collection



DESIGNED IN 2024

ASSEMBLY NOTES | REV 01



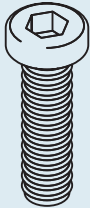
NEED A HAND?

Contact us at service@bludot.com or **844.425.8368** for assistance.

@BLUDOT

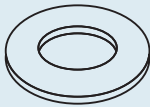
We design all our pieces in our Minneapolis studio. Follow along on Instagram for some sneak peeks into the process.

Parts & Hardware



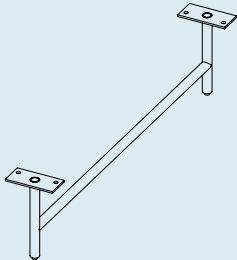
QTY 8

Pt. 1070



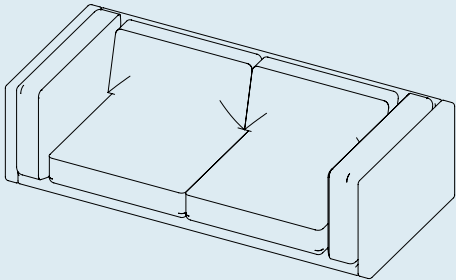
QTY 8

Pt. 3015



QTY 2

Leg



QTY 1

Sofa Shell

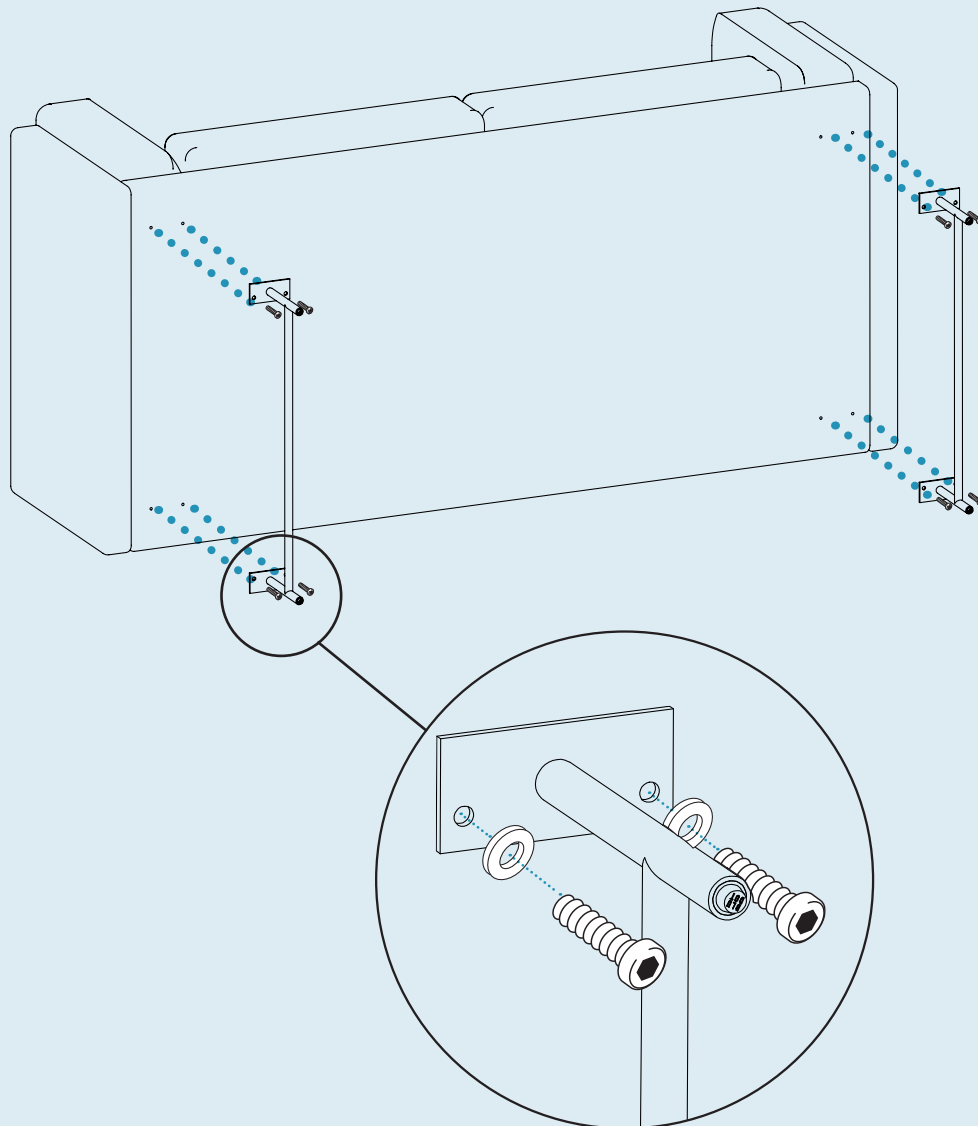
Step 01

ATTACH THE LEGS.

Attach the legs as shown.

Precaution:

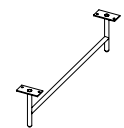
Once the legs have been attached, have a second person help lift and bring the case upright in order to prevent leg damage.



Pt. 1070 x8



Pt. 3015 x8

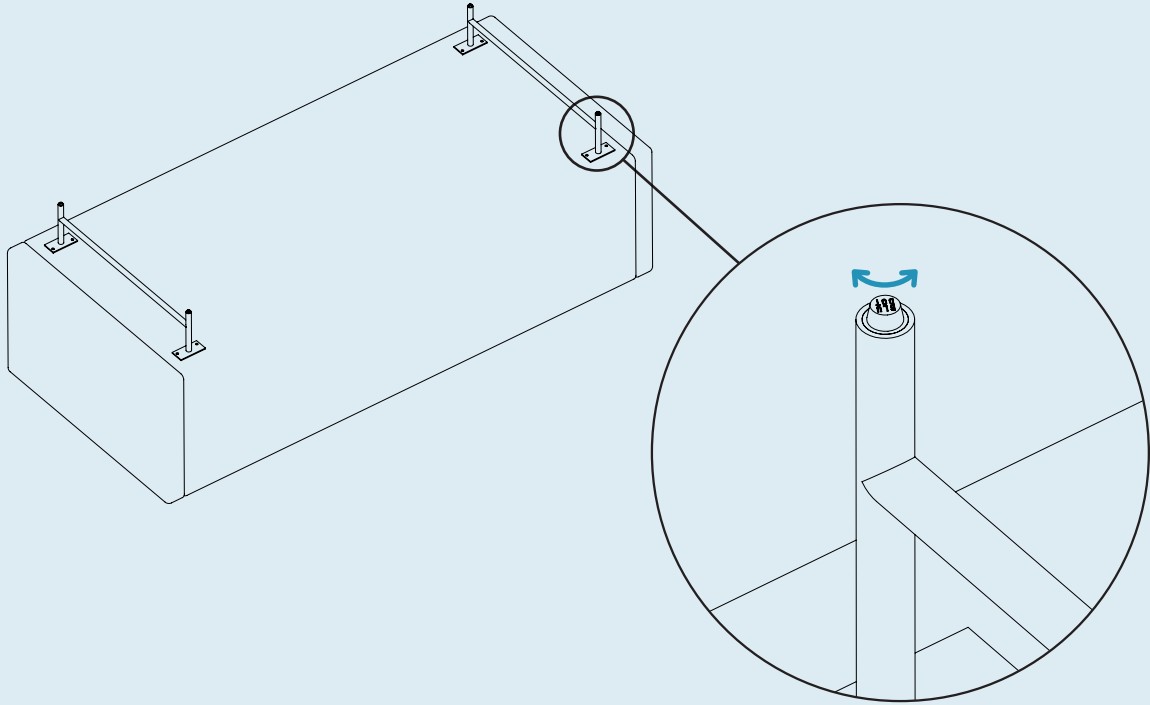


Leg x2

Step 02

LEVEL THE GLIDES.

Adjust the glides to level the legs if necessary.



Additional Information

CLEAN

Vacuum your upholstery regularly. For leather furniture dust regularly with a dry cloth.

SPILLS

Act quickly with spills. Absorb the spill with a clean white cloth or paper towel. Never rub the surface. Do not use water or other liquids to clean, as they may cause stains. Consult a commercial cleaning specialist for removal of stubborn stains.

AVOID

Keep furniture out of direct sunlight and away from heat sources; excessive exposure to sunlight may cause color fading. Avoid placing heavy or sharp objects on the furniture surface for long periods of time; this can cause permanent surface indentations. For snags in the fabric, tuck loose threads into fabric or carefully push to reverse side. Never pull out or cut off loose threads.

